

Mini-ITX Series

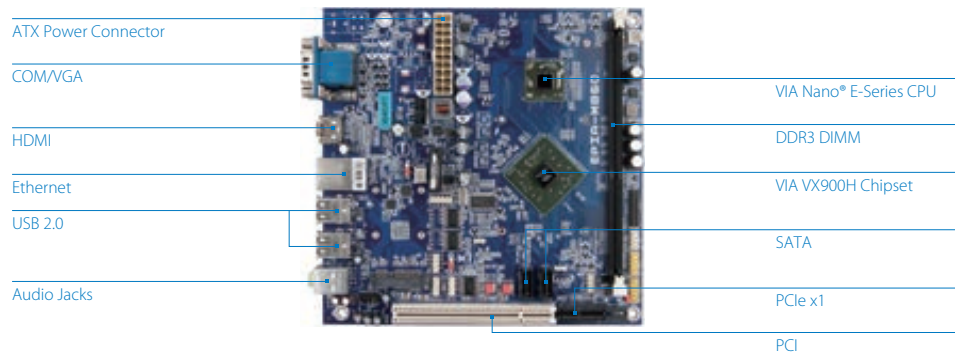
VIA EPIA-M860

Fanless Mini-ITX board with rich multimedia, I/O, and connectivity features

Features

- Compact 17cm x 17cm Mini-ITX form factor
- Fanless 1.2GHz VIA Nano® E-Series processor
- DX9 graphics with MPEG-2/WMV9/VC1/H.264 decoding acceleration
- Advanced I/O and connectivity features
- Supports four COM ports (three as pin headers)

Board Placement

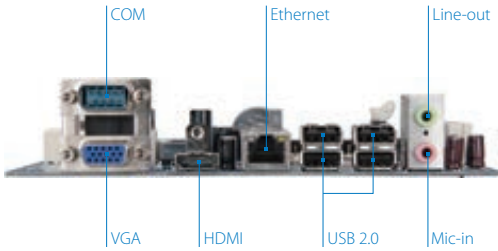


Specifications

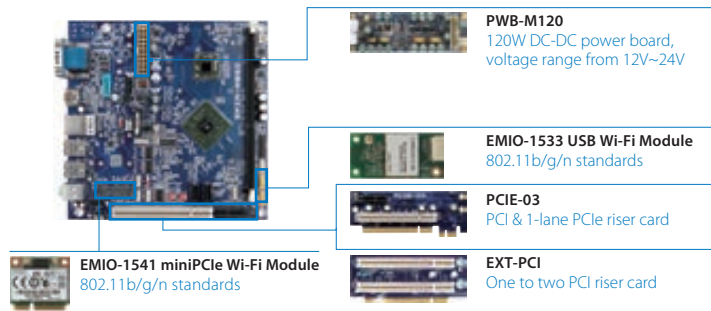
Model Name	EPIA-M860-12E/PE
Processor	1.2GHz VIA Nano® E-Series
Chipset	VIA VX900H Media System Processor
BIOS	AMI BIOS, 8Mbit Flash memory
System Memory	1 DDR3 1066 DIMM slot Up to 4GB memory size
Storage	2 SATA connectors
Graphics	Integrated VIA C-9 HD DX9 3D/2D graphics with MPEG-2, WMV9, VC1 and H.264 video decoding acceleration
LAN	VIA VT6130 PCIe Gigabit Ethernet controller
Audio	VIA VT1708S High Definition Audio Codec
Super I/O	Fintek F81865F-I
Expansion I/O	1 PCI 1 PCIe x1 slot 1 miniPCIe slot
Onboard I/O	2 SATA connectors 2 USB 2.0 pin headers for 3 ports 3 COM port pin headers (2 additional COM ports optional) 1 SMBus pin header 1 Digital I/O pin header (4 GPI + 4 GPO) 1 Front audio pin header for Line-out, Mic-in 2 Smart Fan pin headers for CPU and system 1 ATX power connector or 12V DC-in 1 PCI 1 PCIe x1 slot 1 miniPCIe
Back Panel I/O	4 USB 2.0 ports 1 HDMI port 1 VGA port 1 COM port 1 Gigabit Ethernet port 2 Audio jacks: Line-out and Mic-in (Line-in reserved) 1 DC-in jack (for EPIA-M860-12PE)
Power Supply	ATX power connector or 12V DC-in
Operating System	Windows 7, WES 7, Windows CE, Linux, POSReady 7
System Monitoring & Management	Wake-on-LAN, Keyboard Power-on, Timer Power-on, System power management, AC power failure recovery, Watch Dog Timer
Operating Temperature	0°C ~ 60°C
Operating Humidity	0% ~ 95% (non-condensing)
Form Factor	Mini-ITX (17cm x 17cm, 6.7" x 6.7")
Compliance	CE/FCC



Back Panel I/O



Accessories



Ordering Information

Model Name	CPU Frequency	Description
EPIA-M860-12E	VIA Nano® E-Series @ 1.2GHz	Mini-ITX Board with 1.2GHz VIA Nano® E-Series CPU, HDMI, VGA, 7 USB 2.0, 4 COM, Gigabit Ethernet, 2 SATA, PCI slot, PCIe x1 slot, MiniPCIe slot, ATX power connector
EPIA-M860-12PE	VIA Nano® E-Series @ 1.2GHz	Mini-ITX Board with 1.2GHz VIA Nano® E-Series CPU, HDMI, VGA, 7 USB 2.0, 4 COM, Gigabit Ethernet, 2 SATA, PCI slot, PCIe x1 slot, MiniPCIe slot, 12V DC-in

Optional Accessories

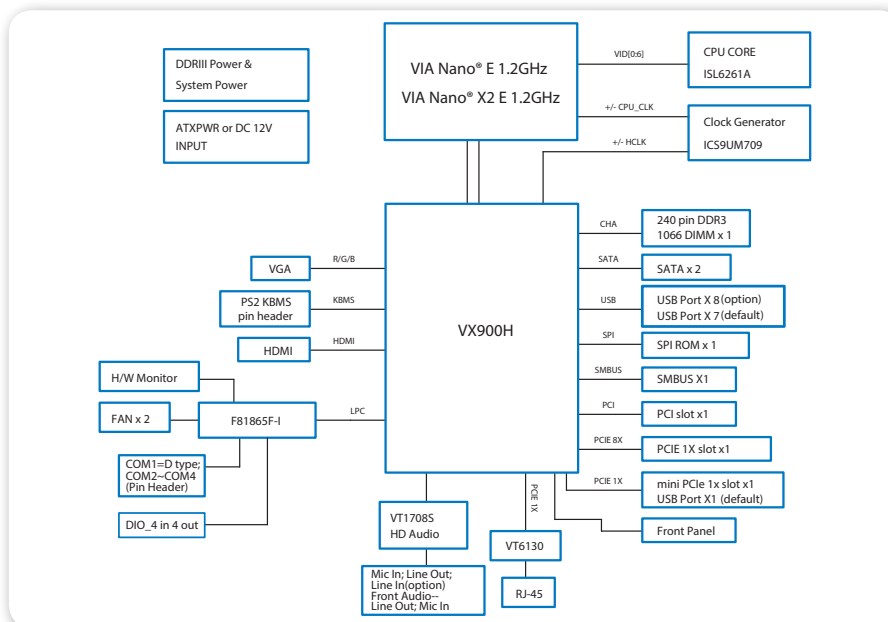
I/O Expansion Cards

Part Number	Description
PWB-M120	120W DC-DC power board, voltage range from 12V~24V
PCIE-03	PCI & 1-lane PCIe riser card
EXT-PCI	One to two PCI riser card

Wireless Modules

Part Number	Description
EMIO-1533-00A2	VNT9271 IEEE 802.11 b/g/n USB Wi-Fi module with assembly kit
EMIO-1541-00A1	VNT9485 IEEE 802.11 b/g/n miniPCIe Wi-Fi module with assembly kit and antenna

Block Diagram



Packing List

Items
EPIA-M860 board
SATA cable
I/O bracket