



Operating Guide

EPIA-P830 Mainboard

Table of Contents

Table of Contents	i
VIA EPIA-P830 overview	1
VIA EPIA-P830 layout	2
VIA EPIA-P830 specifications	3
VIA EPIA-P830 processor SKUs	4
VIA VX900 chipset overview	5
VIA EPIA-P830 and P830-A board dimensions	6
VIA P830-B board dimensions	7
Power consumption	8
VIA EPIA-P830 1.2 GHz	8
Power Specifications	9
VIA EPIA-P830 Microsoft and Linux driver support	10
Microsoft Driver Support	10
Linux Driver Support	10
Contact information	11

VIA EPIA-P830 overview

The VIA EPIA-P830 Pico-ITX Mainboard is a compact native x86 mainboard optimized for multimedia applications. The mainboard is based on the VIA VX900 Unified Digital Media IGP chipset featuring the VIA C-9 HC with 2D/3D graphics and video accelerators for rich digital media performance.

The VIA EPIA-P830 includes a powerful, secure, and efficient VIA Nano™ processor. The VIA Nano processor includes the VIA Padlock Security Engine, VIA CoolStream™ Architecture, VIA StepAhead™ Technology Suite, and VIA TwinTurbo™ technology.

The VIA EPIA-P830 includes one 1066/800 MHz DDR3 SODIMM slot that supports up to 4 GB. The VIA EPIA-P830 provides support for high fidelity audio with its included VIA VT1708S High Definition Audio codec. In addition it supports two SATA 3Gb/s storage devices.

The VIA EPIA-P830 is fully compatible with Microsoft® and Linux operating systems.

VIA EPIA-P830 layout

EPIA-P830

Pico-ITX Embedded Board

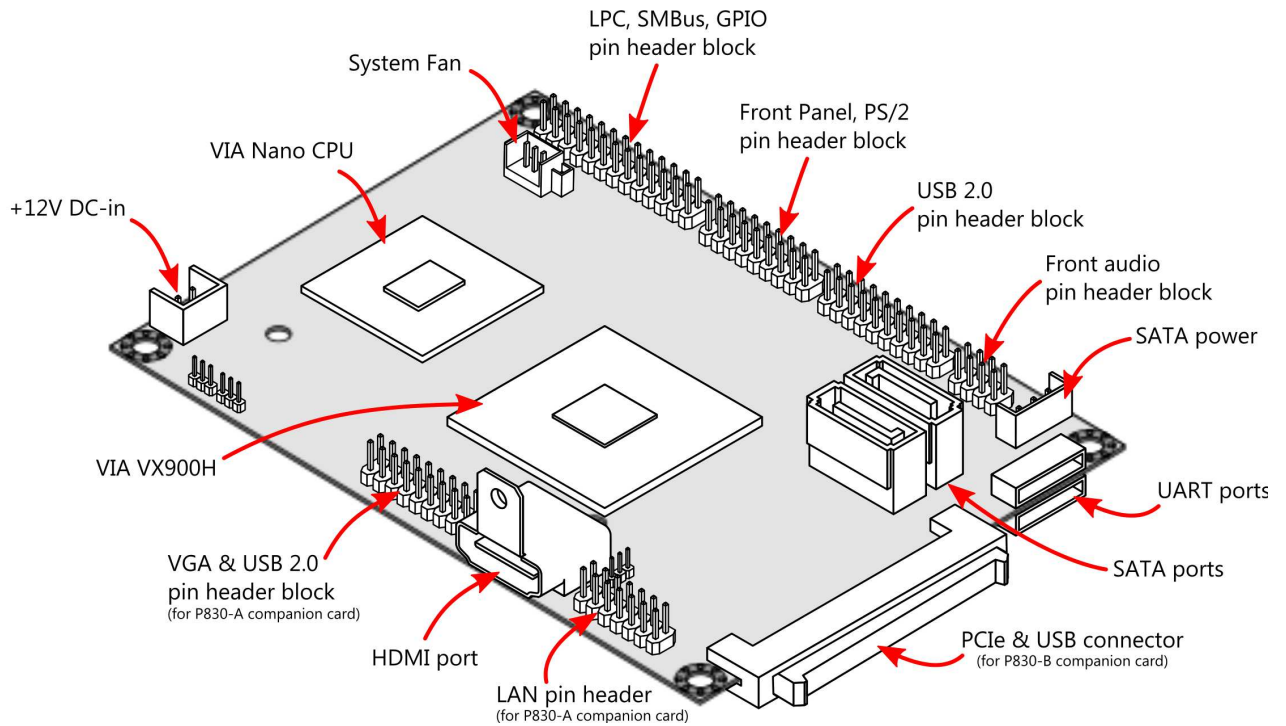


Figure 1: EPIA-P830 layout

P830-A

Companion Card

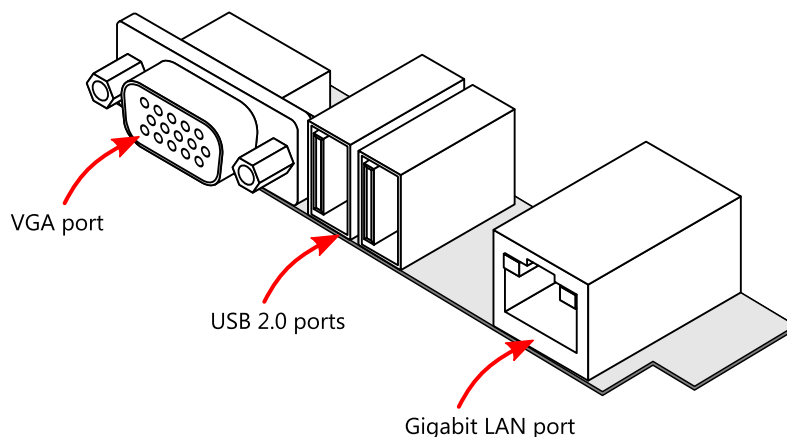


Figure 2: P830-A companion card

VIA EPIA-P830 specifications

Model Name	EPIA-P830-12L
Processor	- VIA 1.2GHz U3300 Nano processor
Thermal Solution	- Heatsink with fan
Chipset	- VIA VX900 Unified Digital Media IGP Chipset
System Memory	- 1 x DDR3 1066/800 MHz SODIMM slot (up to 4 GB)
VGA	- Integrated VIA C-9 HD DX9 3D/2D Graphics with MPEG-2, WMV9, an H.264 video decoding acceleration
Onboard SATA	- 2 x SATA connectors (with configurable 5V input on pin #7 for DOM) - 1 x SATA power connector
Onboard LAN	- 1 x VIA VT6130 PCIe Gigabit LAN controllers
Onboard Audio	- VIA VT1708S High Definition Audio Codec
Onboard SuperIO	- Fintek 81801U-I
Onboard I/O Connectors	- 1 x Single-channel 24-bit LVDS connector - 1 x LVDS inverter - 1 x VGA-USB pin header - 1 x 20-pin USB pin header for 5 additional USB ports - 1 x LAN pin header - 1 x Digital I/O pin header (GPI x 4, GPO x 4) - 2 x UART pin headers - 1 x LPC pin header - 1 x SMBUS pin header - 1 x Front audio pin header: Line-out, Line-in, Mic-in - 1 x SPI pin header - 1 x PS2 keyboard/mouse pin header - 1 x Front-panel pin header - 1 x System fan connector - 1 x +12V±5% DC-in power connector
Expansion Slot	- 2 x 1-lane PCIe expansion connector (with one USB support)
Back Panel I/O	- 1 x VGA port (on P830-A) - 1 x HDMI® port - 1 x RJ-45 Gigabit LAN port (on P830-A) - 2 x USB 2.0 ports (on P830-A)
BIOS	- AMI BIOS - 8Mbit SPI flash ROM
Operating System	Windows 7 / Windows XP / Windows XPe / Windows CE / Linux
System Monitoring & Management	- Wake-on-LAN, Keyboard power-on, RTC Timer power-on, Watch Dog Timer - System power management, AC Power failure recovery
Operating Temperature	0° C ~ 60° C
Operating Humidity	0% ~ 95% (relative humidity; non-condensing)
Form Factor	- 12 layer Pico-ITX (10 cm x 7.2 cm)
Compliance	CE/FCC/RoHS/BSMI

* Specifications subject to change without notice.

VIA EPIA-P830 processor SKUs

The VIA EPIA-P830 is available in the following speed grade:

- VIA 1.2 GHz U3300 Nano processor (EPIA-P830-12L)

VIA VX900 chipset overview

The VIA VX900 Unified Digital Media Chipset is designed to enable high quality digital video streaming and DVD playback in a new generation of small form factor PCs and IA devices. The VIA VX900 features VIA C-9 HD with 2D/3D graphics and video acceleration, DDR3 1066/800 MHz support, motion compensation and dual display support to ensure a rich overall entertainment experience.

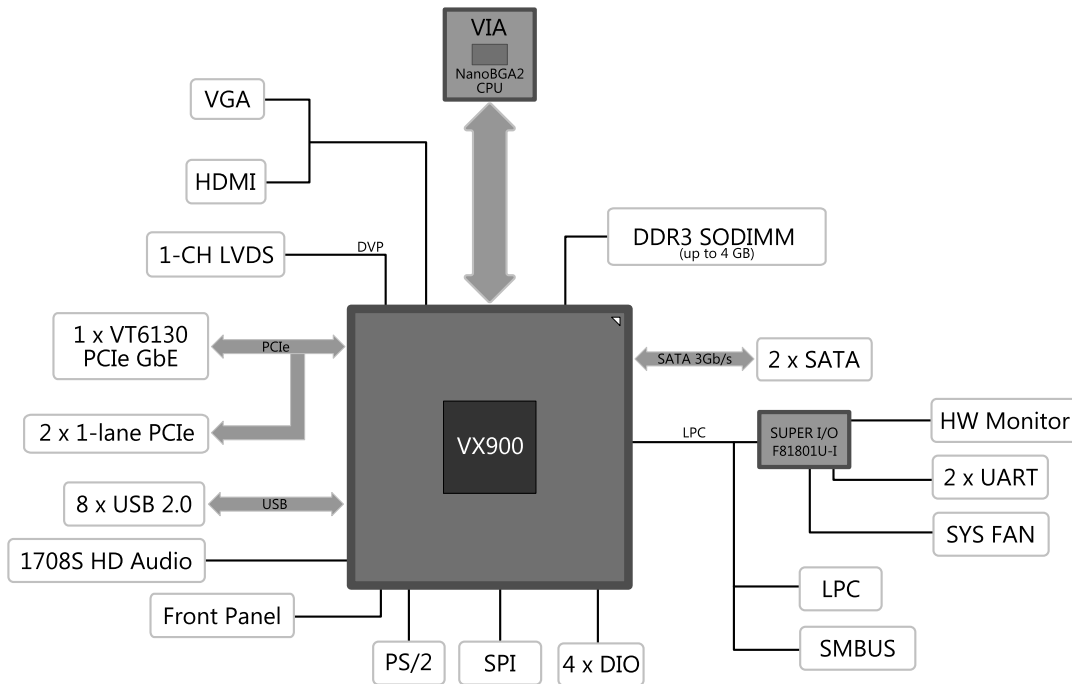


Figure 3: VX900 as implemented in the EPIA-P830

VIA EPIA-P830 and P830-A board dimensions

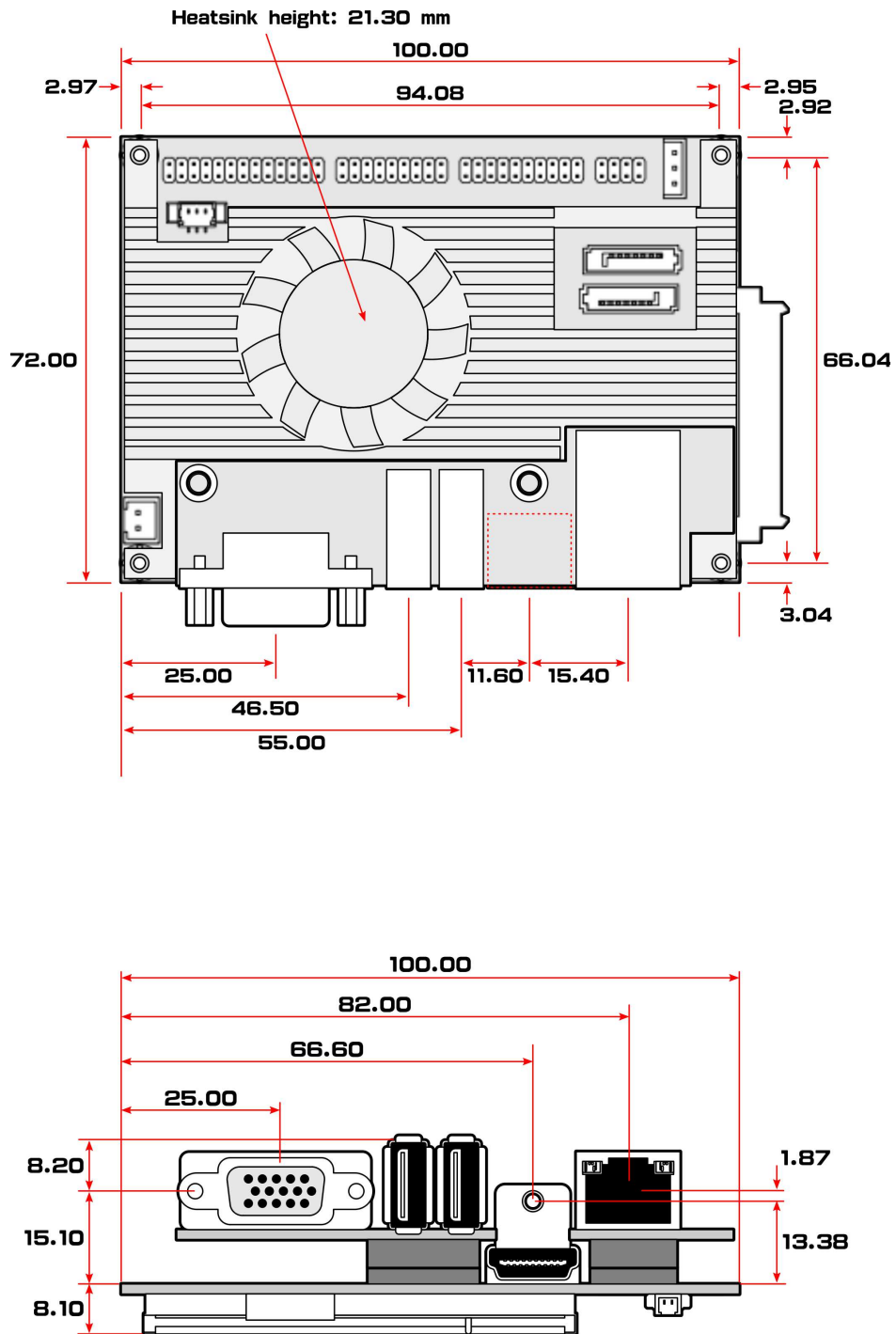


Figure 4: EPIA-P830 mainboard and P830-A daughterboard dimensions



Note:

The mounting holes at the four corners can only fit M2 size screws (Ø1.86 mm – Ø1.89 mm).

VIA P830-B board dimensions

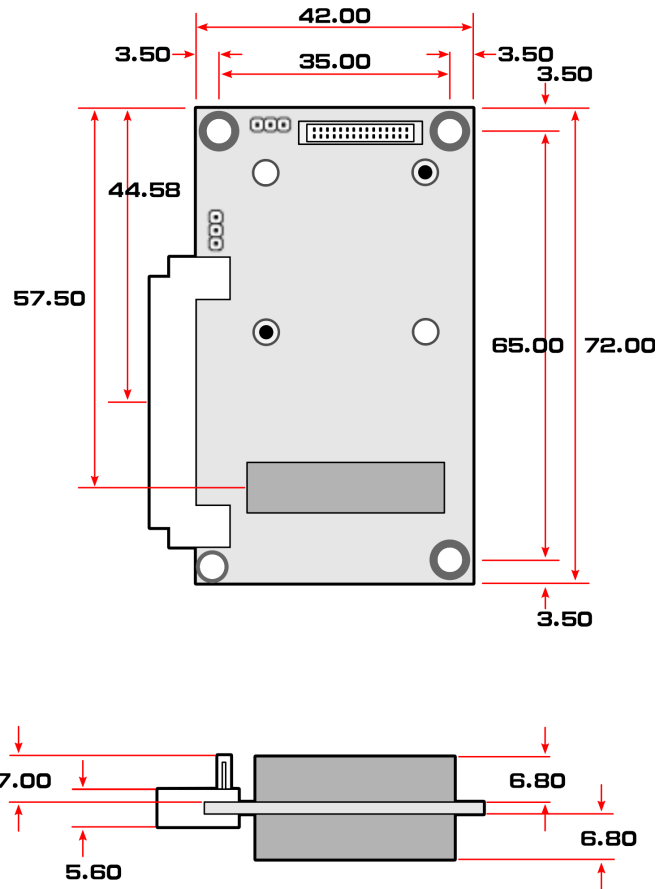


Figure 5: P830-B daughterboard dimensions

Power consumption

Power consumption tests were performed on the VIA EPIA-P830 with the following components as shown in the table below.

Component	Description
Memory	Corsair DDR3 2GB
Hard disk drive	Fujitsu 2.5" STAT2 160GB
Power supply	Seasonic SSA-0651-1 AC Input 110-240~2A, 50/60Hz DC Output +12V/5A

The following table shows a breakdown of the voltage, amp and wattage values while running common system applications.

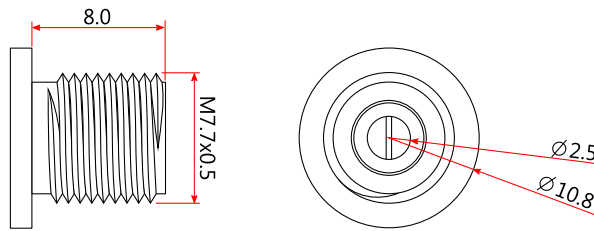
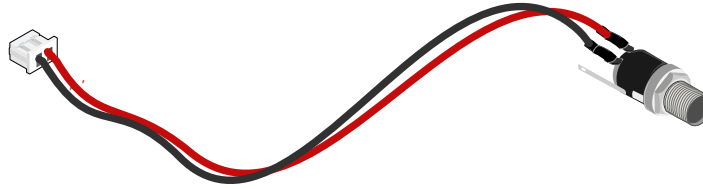
VIA EPIA-P830 1.2 GHz

Test	Measured Voltage	Measure Amp	Watts
100% CPU usage	11.99	1.482	17.769
Burn-in 3DMark06, 1280 x 1024 (bench mode)	12.03	1.393	16.758
Power DVD 8.0 (H.264 1080i, 10MB movie)	12.08	1.080	13.046
Power DVD 8.0 (MPEG2 1080p, 40MB movie)	12.06	1.182	14.255
Idle	12.13	0.863	10.468
Suspend 1	12.18	0.625	7.613
Suspend 3	12.29	0.122	1.499
Suspend 4	12.29	0.112	1.376
Suspend 5	12.29	0.112	1.376

Power Specifications

The VIA EPIA-P830 mainboard is available with a 2-pin +12V_{DC} power connector for connecting to an external power block that outputs +12V_{DC}±5%/5A.

Pin	Signal
1	+12V
2	GND



VIA EPIA-P830 Microsoft and Linux driver support

MICROSOFT DRIVER SUPPORT

The VIA EPIA-P830 mainboard is compatible with Microsoft operating systems. The latest Windows 2000 and Windows XP drivers can be downloaded from the VEPD website at www.viaembedded.com.

For embedded operating systems (Windows CE and Windows XP Embedded), the related drivers can be found in the VIA Embedded website at www.viaembedded.com.

LINUX DRIVER SUPPORT

The VIA EPIA-P830 mainboard is highly compatible with many Linux distributions.

Support and drivers are provided through various methods including:

- Drivers provided by VIA
- Using a driver built into a distribution package
- Visiting www.viaembedded.com for the latest updated drivers
- Installing a third party driver (such as the ALSA driver from the Advanced Linux Sound Architecture project for integrated audio)

For OEM clients and system integrators developing a product for long term production, other code and resources may also be made available. You can submit a request to your VEPD support contact.

Contact information

For more information on the VIA EPIA-P830 Pico-ITX mainboard contact your sales representative or visit our website at www.viaembedded.com

 **Taiwan Headquarters**
1F, 531 Zhong-Zheng Road
Xindian Dist., New Taipei City 231,
Taiwan

TEL: 886.2.2218.5452
FAX: 886.2.2218.5453
Email: embedded@via.com.tw

 **USA**
940 Mission Court
Fremont, CA 94539
USA

TEL: 1.510.683.3300
FAX: 1.510.687.4654
Email: embedded@viatech.com

 **Europe**
In den Dauen 6
53117 Bonn
Germany


TEL: 49.228.688565.0
FAX: 49.228.688565.19
Email: embedded@via-tech.de

 **China**
Tsinghua Science Park Bldg. 7
No. 1 Zongguancun East Road
Haiden District, Beijing 100084

TEL: 86.10.59852288
FAX: 86.10.59852299
Email: embedded@viatech.com.cn

 **Japan**
3-15-7 Ebisu MT Bldg. 6F
Higashi, Shibuya-ku
Tokyo 150-0011

TEL: 81.3.5466.1637
FAX: 81.3.5466.1638
Email: embedded@viatech.co.jp

 **Korea**
2F, Sangjin Bldg., 417
Dogok-Dong, Gangnam-Gu
Seoul 135-854

TEL: 82.2.571.2986
FAX: 82.2.571.2987
Email: embedded@via-korea.com