

## Mini-ITX Series

# VIA EPIA PE

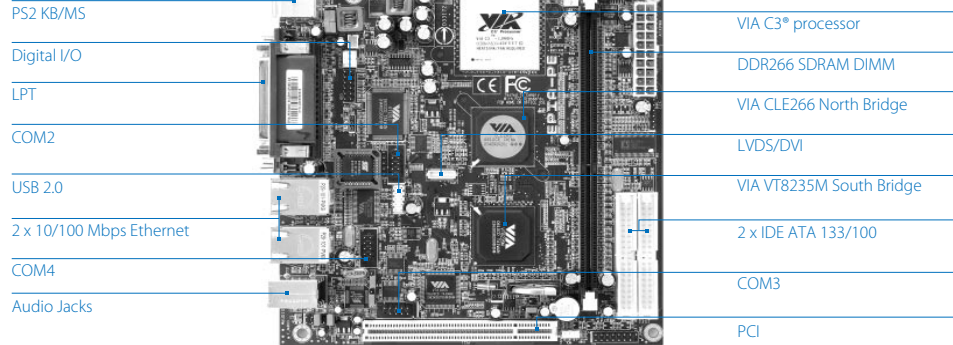
Mini-ITX C3<sup>®</sup> Board with  
MPEG-2, 4 COM Ports, and  
Dual-LAN

## Features

- Integrated VIA UniChrome™ Pro AGP graphics with MPEG-2 decoding acceleration
- Supports Digital I/O, four pairs of GPIO
- Four COM ports support, COM3/4 with 5V/12V VCC select
- Supports dual LAN (10/100 Mbps)
- Supports LVDS/DVI (an add-on card is required)



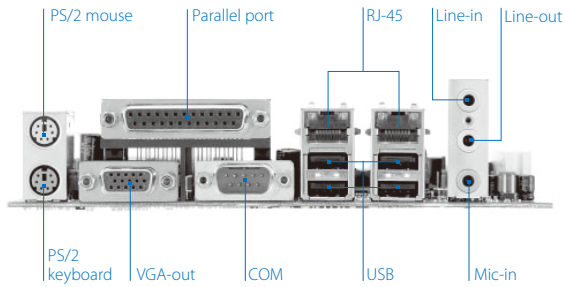
## Board Placement



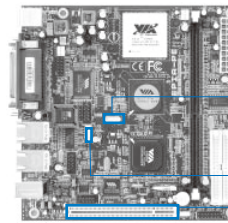
## Specifications

<b>Model Name</b>	<b>EPIA PE10000G</b>
<b>Processor</b>	1.0GHz VIA C3 <sup>®</sup>
<b>Chipset</b>	VIA CLE266 North Bridge VIA VT8235M South Bridge
<b>System Memory</b>	1 x DDR266 DIMM socket Up to 1GB memory size
<b>VGA</b>	Integrated VIA UniChrome™ AGP graphics with MPEG-2 decoding acceleration
<b>Expansion Slots</b>	1 x PCI Slot
<b>Onboard IDE</b>	2 x UltraDMA 133/100/66 connectors
<b>Onboard LAN</b>	1 x VIA VT6103 10/100 Mbps Ethernet PHY 1 x VIA VT6106S 10/100 Mbps Ethernet controller
<b>Onboard Audio</b>	VIA VT1612A 2-channel AC'97 Codec
<b>Onboard I/O Connectors</b>	1 x USB connector for 2 additional USB 2.0 ports 1 x FIR connector 1 x Wake-on-LAN connector 3 x Serial port connectors for COM2/3/4 (COM3/4 are 5V/12V selectable) 1 x Digital I/O connector 1 x SMBus connector 1 x LVDS/DVI module connector, for 24-bit dual channel LVDS panel (an add-on card is required) 1 x CIR connector (switchable for KB/MS) 1 x Front panel audio connector for Line-out and Mic-in 3 x Fan connectors for CPU, system and power fans 1 x ATX power connector
<b>Back Panel I/O</b>	1 x PS2 mouse port 1 x PS2 keyboard port 1 x Parallel port 1 x VGA port 1 x Serial port 2 x RJ-45 LAN ports 4 x USB 2.0 ports 3 x Audio jacks: Line-out, Line-in and Mic-in (vertical, Smart 5.1 support)
<b>BIOS</b>	Award BIOS LPC 4/8Mbit flash memory
<b>Operating System</b>	Windows 2000/XP, Linux, Win CE, XPe
<b>System Monitoring &amp; Management</b>	CPU temperature reading CPU voltage monitoring Fan control Watch Dog Timer Wake-on LAN, Keyboard Power-on, Timer Power-on System power management AC power failure recovery
<b>Operating Temperature</b>	0° C ~ 50° C
<b>Operating Humidity</b>	0% ~ 95% (relative humidity; non-condensing)
<b>Form Factor</b>	Mini-ITX (6-layer) 17 cm x 17 cm

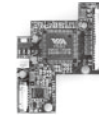
## Back Panel I/O



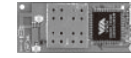
## Accessories



**DVI-01**  
Supports DVI monitor



**LVDS-05**  
Supports 18/24-bit LCD panel display



**WLAN USB Module**  
802.11 b/g standards

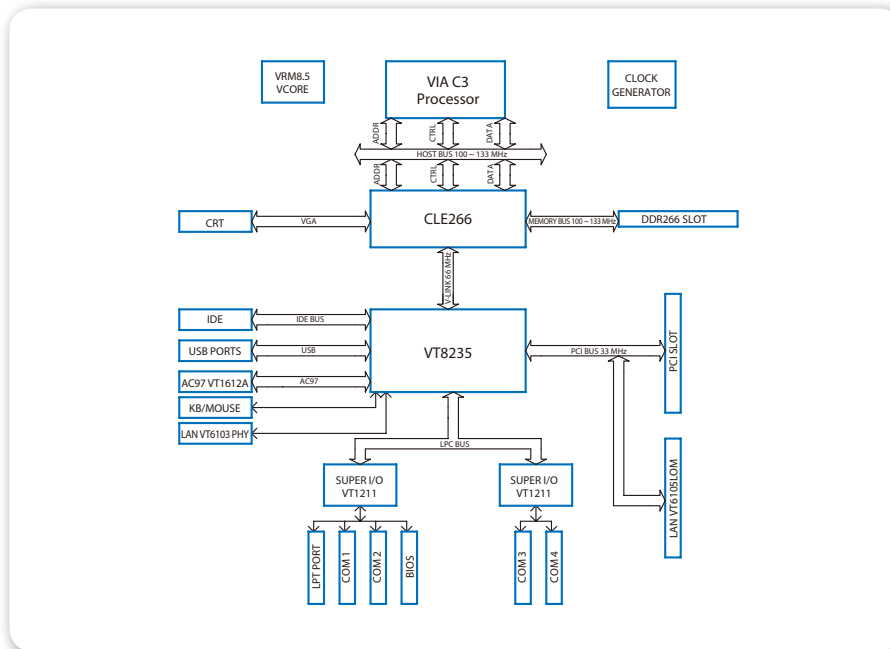


**EXT-PCI**  
1 to 2 PCI riser card

## Ordering Information

Model Name	CPU Frequency	Description
PE10000G	1.0GHz C3*	Mini-ITX Board with 1.0GHz C3* CPU, VGA, LVDS, DVI, USB, 4 x COM, LPT, Dual LAN, 4 x GPI & 4 x GPO, IDE, SATA

## Block Diagram



## Packing List

Items
1 x ATA-66/100/133 IDE ribbon cable
1 x General installation guide
1 x Driver Utility CD
1 x I/O bracket