

Embedded Systems

NEW

VIA NFR7500

1U Network Appliance
Platform with C7®, 5
GigaLAN, LAN Bypass and
1 Mini PCI

Features

- Supports two DDR2 667 DIMM slots
- Supports one Mini PCI interface
- Supports two COM ports (one as pin header)
- Supports four PCIe Gigabit Ethernet and one PCI Gigabit Ethernet
- Supports six USB 2.0 (four as pin headers)
- Supports LAN bypass
- Supports Compact Flash type II
- Onboard TPM (Trusted Platform Module)

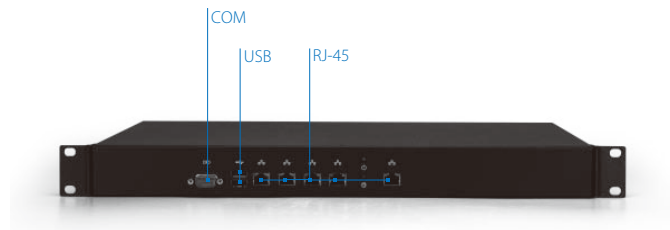


Specifications

Part Number	NFR7500-15TL
Processor	1.5 GHz VIA C7®
Chipset	VIA CN896 North Bridge VIA VT8251 South Bridge
System Memory	2 x DDR2 533/667 DIMM sockets Up to 4 GB memory size
Storage	1 x 2.5" HDD bay
Expansion Slots	2 x PCI slots 1 x Mini PCI type III socket
Onboard LAN	4 x VIA VT6130 PCIe Gigabit Ethernet controllers 1 x VIA VT6122 Gigabit Ethernet controller
Super IO	Winbond W83697HG
On board TPM	Infineon SLB9635TT 1.2 (Trusted Platform Module)
Internal I/O	1 x VGA pin connector 1 x Digital I/O pin connector (4 input, 4 output, TTL level) 1 x PS/2 pin connector for keyboard and mouse 2 x Fan connectors: CPU/Sys FAN 4 x SATA connectors 1 x Type II Compact Flash slot 2 x USB pin connectors for 4 additional USB 2.0 ports (USB5 for VNT WLAN module with BIOS control) 1 x Serial port pin connector (with 5v/12v select) 1 x Pin connector for chassis intrusion detection
External I/O	1 x DB-9 serial port (with console redirection) 5 x RJ-45 LAN ports (LAN C/D with LAN bypass) 2 x USB 2.0 ports
Power Supply	Full range 55 w ATX type power supply
Miscellaneous	1 x System fan 1 x Antenna hole for optional WLAN Power/HDD indication LEDs
BIOS	Award BIOS, LPC 4/8Mbit flash memory
Operating System	Linux, Windows 2000/XP, Win CE, XPe
System Monitoring & Management	CPU voltage monitoring, Fan monitoring Wake-on LAN(LAN A/B/E), Watch Dog Timer, Wake-on Alarm System power management, AC power failure recovery
Operating Temperature	0 °C ~ 40 °C
Operating Humidity	0% ~ 95% (relative humidity; non-condensing)
Storage Temperature	-20° C ~ 70 °C
Weight	3.7 kg
Dimension	42.7 cm (L) x 27.9 cm (W) x 4.4 cm (H)

* The product is only available for special projects. Please contact your regional sales representative for more details.

Front System I/O



Ordering Information

Part Number	CPU Frequency	Description
NFR7500-15TL0-A0	1.5 GHz C7®	1U Network Appliance Platform with 1.5 GHz C7®, 4 PCIe GigaLAN, 1 PCI GigaLAN, TPM, Mini PCI

Optional Accessories

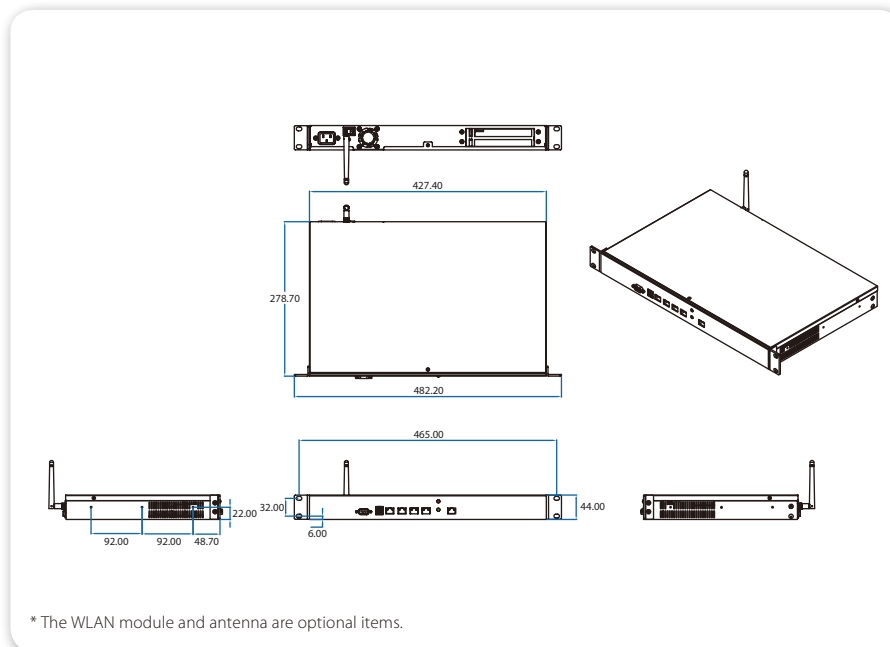
WLAN USB Module

Part Number	Description
70GU184A3G62CA5A	802.11 b/g Wireless LAN USB module for US
70GO184A3G62MA5A	802.11 b/g Wireless LAN USB module for Europe
99G33-180032	USB cable and antenna

Power cable

Part Number	Description
99G33-02032C	Power cable, 180 cm, USA type
99G33-02034C	Power cable with PSE mark, 180 cm for Japan
99G33-02033C	Power cable, 180 cm, Europe type
99G33-02031C	Power cable, 180 cm, UK type

Dimensions



Packing List

- 1 x SATA cable
- 1 x Rack mount bracket set
- 1 x HDD bracket set
- 4 x HDD screws
- 4 x Screws for rack mount bracket set
- 4 x Screws for HDD bracket set
- 2 x Plastic inserts for PCI slots