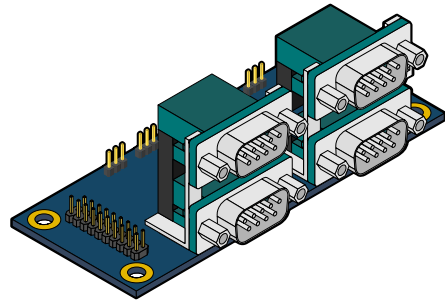




LPC-01

Expansion Module for Four RS-232 Ports (5V or 12V)

Quick Guide



Key Features

- Supports up to four COM ports
- Compatible with EPIA mainboards with standard LPC pin header

The LPC-01 is an expansion module designed for connecting up to four external serial devices to existing VIA EPIA mainboards.

Specifications

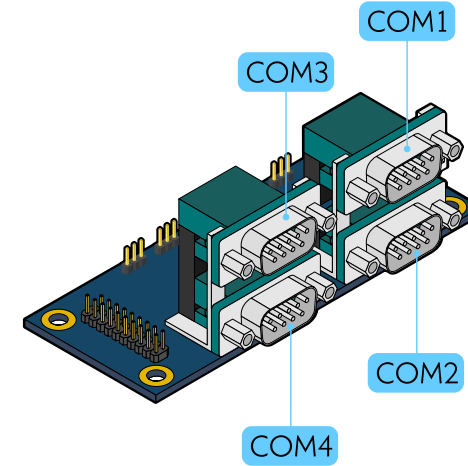
- **I/O Coastline**
 - 4 x COM ports
 - Support RS-232 interface (COM1 ~ COM4)
 - Support 5V/12V voltage select for COM1 ~ COM4
- **Onboard pin header and jumpers**
 - 1 x LPC pin header
 - 4 x Voltage select jumper
 - 1 x Power connector
- **Dimension**
 - 100mm x 40mm

Packing List

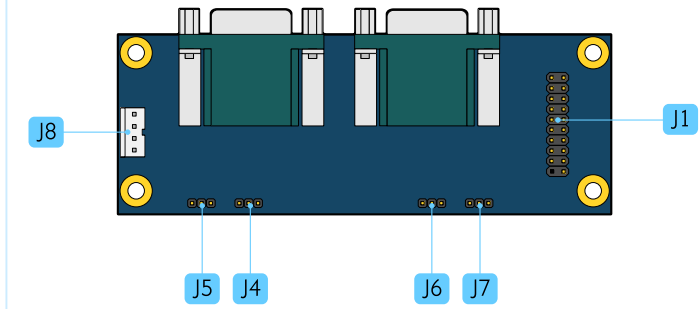
- 1 x LPC-01 module
- 1 x LPC cable

Note:
Please ensure that all items in the packing list are present before using this product. If any of the items are missing or damaged, contact your distributor or sales representative immediately.

I/O Coastline Layout



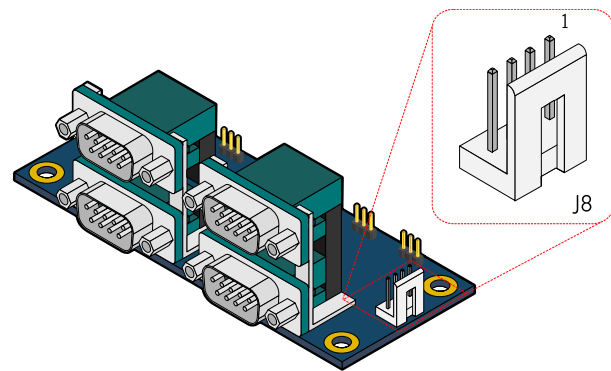
Onboard I/O Layout



| Items | Descriptions |
|-------|----------------------------|
| J1 | LPC pin header |
| J4 | COM1 voltage select jumper |
| J5 | COM2 voltage select jumper |
| J6 | COM3 voltage select jumper |
| J7 | COM4 voltage select jumper |
| J8 | Power connector |

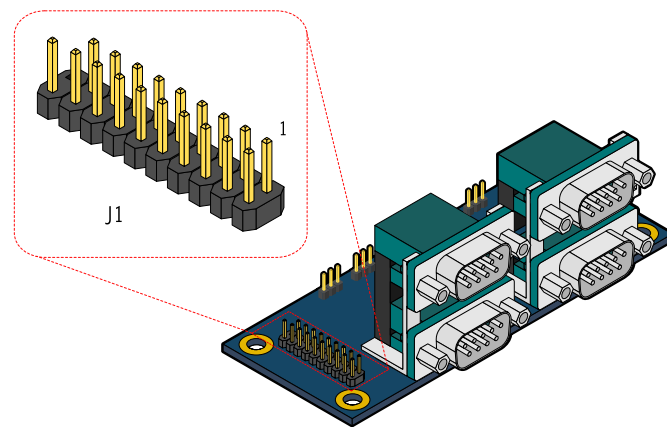
Connector & Pin Header Definition

J8: Power connector



| Pin | Signal |
|-----|--------|
| 1 | +5V |
| 2 | GND |
| 3 | GND |
| 4 | +12V |

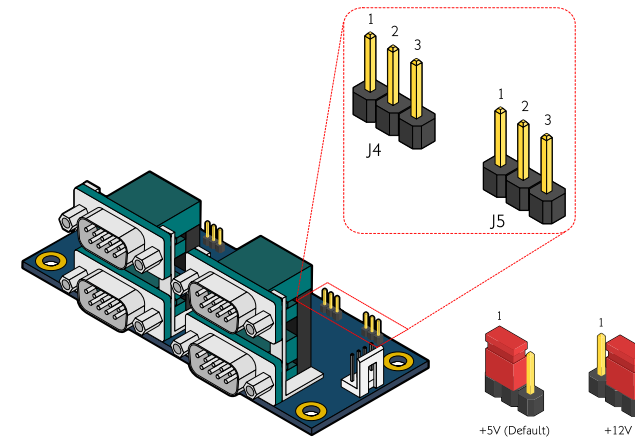
J1: LPC pin header



| Pin | Signal | Pin | Signal |
|-----|----------|-----|-----------|
| 1 | LAD1 | 2 | LPC_33CLK |
| 3 | -PCIRSTX | 4 | GND |
| 5 | LAD0 | 6 | 2448_CLK |
| 7 | LAD2 | 8 | GND |
| 9 | SERIRQ | 10 | LAD3 |
| 11 | -LDRQ1 | 12 | -EXTSMI |
| 13 | +5V | 14 | +3V |
| 15 | +5V | 16 | +3V |
| 17 | GND | 18 | GND |
| 19 | Key pin | 20 | -LFRAME |

Jumper Definition and Settings

J4 & J5: COM1 and COM2 voltage select jumper



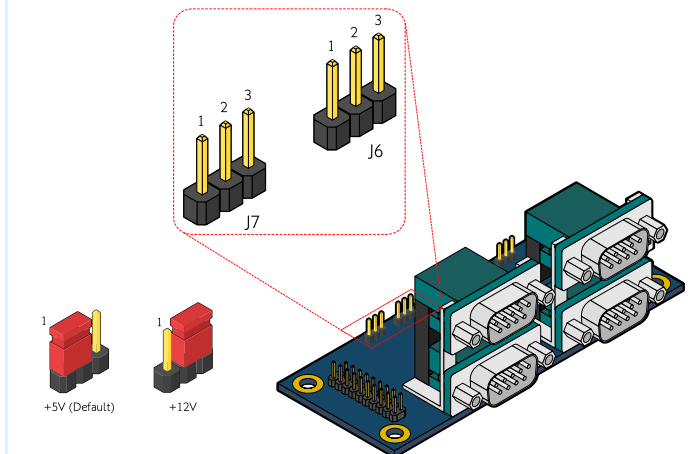
| Pin | Signal |
|-----|--------|
| 1 | +5V |
| 2 | GND |
| 3 | +12V |

| COM1 Settings | Pin 1 | Pin 2 | Pin 3 |
|---------------|-------|-------|-------|
| +5V (default) | Short | Short | Open |
| +12V | Open | Short | Short |

| COM2 Settings | Pin 1 | Pin 2 | Pin 3 |
|---------------|-------|-------|-------|
| +5V (default) | Short | Short | Open |
| +12V | Open | Short | Short |

Notes:
J4 : Voltage select jumper for COM port 1 (COM1)
J5 : Voltage select jumper for COM port 2 (COM2)

J6 & J7: COM3 and COM4 voltage select jumper



| Pin | Signal |
|-----|--------|
| 1 | +5V |
| 2 | GND |
| 3 | +12V |

| COM3 Settings | Pin 1 | Pin 2 | Pin 3 |
|---------------|-------|-------|-------|
| +5V (default) | Short | Short | Open |
| +12V | Open | Short | Short |

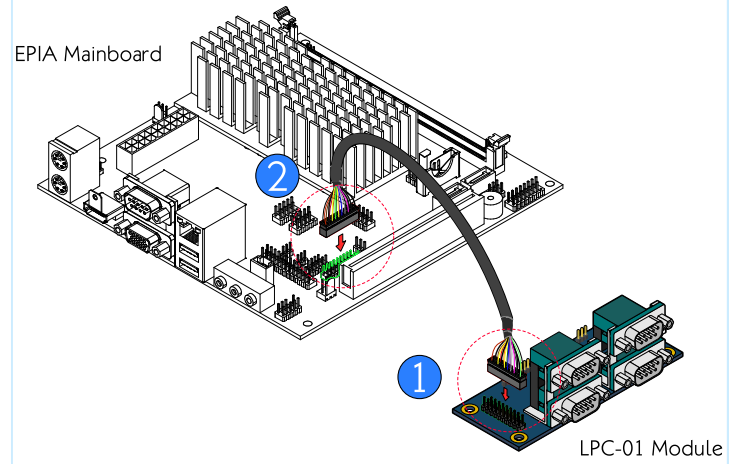
| COM4 Settings | Pin 1 | Pin 2 | Pin 3 |
|---------------|-------|-------|-------|
| +5V (default) | Short | Short | Open |
| +12V | Open | Short | Short |

Notes:
J6 : Voltage select jumper for COM port 3 (COM3)
J7 : Voltage select jumper for COM port 4 (COM4)

Connecting LPC Cable

Step 1

Connect the board-to-board LPC cable to the LPC pin header (J1) on the LPC-01 module.



Step 2

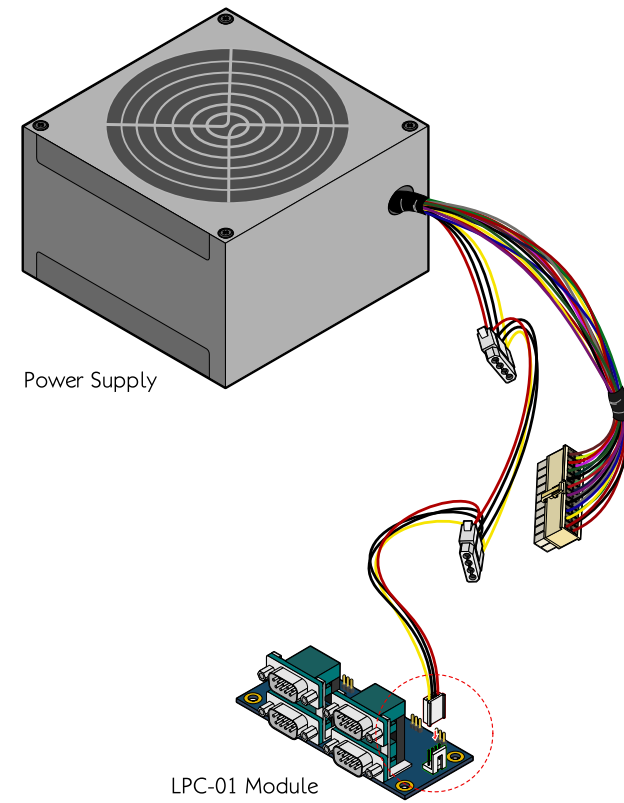
Connect the other end of the board-to-board LPC cable to the JLPC pin header on the EPIA mainboard.

Note:
The configuration of JLPC pin header can be found in EPIA mainboard's user manual.

Connecting Power Connector

Step 1

Connect the power input connector (4-pin) to the power connector (J8) on the LPC-01 module.



VIA Technologies, Inc.

1F, 531, Zhong zheng Road,
Xindian District, New Taipei City 231,
Taiwan

Tel: 886-2-2218-5452

Fax: 886-2-2218-9860

Web: www.viatech.com

For more information on this and other VIA
products, please visit www.viatech.com

Copyright © 2007-2017 VIA Technologies, Inc. All rights reserved.