

VIA

# ALTA DS 3

High-performance Edge AI system with dual 4K screen support and rich wireless and I/O connectivity options



## Features

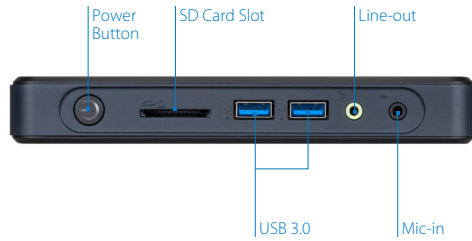
- Qualcomm® Snapdragon™ 820E Embedded Platform
- Supports dual 4K display resolution
- Features Qualcomm® Neural Processing SDK support
- Wi-Fi & Bluetooth 4.1 or 4G LTE wireless connectivity options
- Dual display mirror & independent video playback modes available

## Specifications

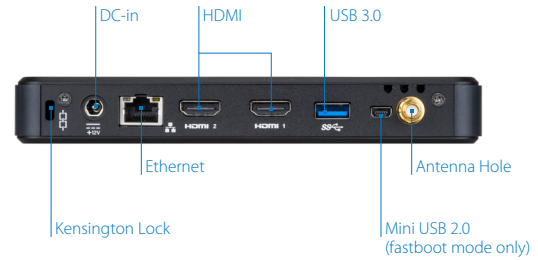
<b>Model Name</b>	<b>ALTA DS 3</b>
<b>Processor</b>	Qualcomm® Snapdragon™ 820E Embedded Platform - Two high-performance Kryo cores up to 2.15GHz - Two low power Kryo cores up to 1.593GHz
<b>System Memory</b>	4GB POP LPDDR4 RAM
<b>Storage</b>	16GB eMMC flash memory M.2 slot for M.2 2280 NVMe SSD (PCIe 1 Lane) SD card slot
<b>Graphics</b>	Qualcomm® Adreno™ 530 GPU 3D graphics accelerator with 64-bit addressing 624MHz Graphics engine supporting OpenGL ES 3.1/GEP, GL4.4, DX11.3/4, OpenCL 2.0, Renderscript-Next Supports H.264, H.265 (HEVC 8/10-bit) video decoding up to: 4K@60fps
<b>Trusted Platform Module</b>	TPM1.2 : ST33TPM12I2C
<b>Wireless Connectivity</b>	NFA324A-12H32 QCA6174A-1 Wi-Fi 802.11 a/b/g/n/ac + BT 4.1 combo LGA module with 2 antenna connectors
<b>Audio</b>	WCD9335 Audio Codec
<b>HDMI</b>	Integrated HDMI 2.0 transmitter and dual DSI to HDMI 1.4 converter
<b>Expansion I/O</b>	1 miniPCIe slot (USB only) 1 M.2 slot 1 SIM card slot
<b>Front Panel I/O</b>	2 USB 3.0 ports 1 SD card slot 2 Audio jacks: Line-out and Mic-in 1 Power Button with blue power LED
<b>Back Panel I/O</b>	2 HDMI ports 1 USB 3.0 port 1 Mini USB 2.0 port (fastboot mode only) 1 Gigabit Ethernet port 1 Antenna hole 1 DC-in jack 1 Kensington lock
<b>Power Supply</b>	12V DC-in
<b>Operating System</b>	Android 8.0
<b>Operating Temperature</b>	0°C ~ 40°C
<b>Operating Humidity</b>	0% ~ 95% @ 40°C ( non-condensing)
<b>Storage Temperature</b>	-20°C~ 70°C
<b>Mechanical Construction</b>	Plastic frame Metal bracket
<b>Mounting</b>	Stand holder, VESA mount (optional)
<b>Dimensions</b>	175mm(W) x 25mm(H) x 118mm(D) (6.88" x 0.98" x 4.64")
<b>Weight</b>	0.61kg (1.34lbs)
<b>Compliance</b>	BSMI, CE, FCC



## Front Panel External I/O



## Back Panel External I/O



## Ordering Information

Part Number	SoC Frequency	Description
ALTADS30VA001-T (US Only)	Qualcomm® Snapdragon™ 820E Embedded Platform @ 2.15GHz/1.593GHz	Android system with 2.15GHz Qualcomm® Snapdragon™ 820E Embedded Platform, 16GB eMMC, 4GB POP LPDDR4 RAM, 2 HDMI, 3 USB 3.0, Mini USB 2.0, Gigabit Ethernet, Wi-Fi, Bluetooth 4.1, SD card slot, M.2 slot, SIM card slot, miniPCIe slot, Stand holder, US power cord, 12V DC-in
ALTADS30VA002-T	Qualcomm® Snapdragon™ 820E Embedded Platform @ 2.15GHz/1.593GHz	Android system with 2.15GHz Qualcomm® Snapdragon™ 820E Embedded Platform, 16GB eMMC, 4GB POP LPDDR4 RAM, 2 HDMI, 3 USB 3.0, Mini USB 2.0, Gigabit Ethernet, SD card slot, M.2 slot, SIM card slot, miniPCIe slot, Stand holder, US power cord, 12V DC-in

## Optional Accessories

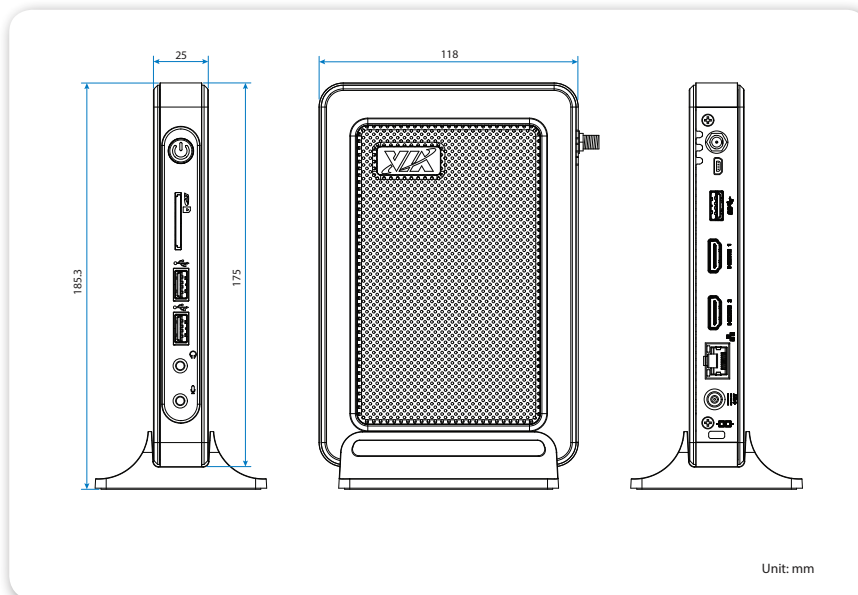
### Wireless Accessories

Part Number	Description
EMIO-2573-00A0	Quectel EC25-A 4G/LTE mobile broadband full size miniPCIe module for USA with assembly kit and antenna pack

### Mounting Options

Part Number	Description
VT6076-C0000A1	VESA mount cradle

## Dimensions



## Packing List

Items
ALTA DS 3 system
Stand holder
AC-to-DC adapter
USA Power cord
Wi-Fi antenna