

Video Wall Mini

VIA ARTiGO A1300

Ultra-compact fanless system for mission-critical dual-display signage, HMI, and IoT applications

Features

- Two HDMI ports with dual independent display support
- 1.0GHz VIA QuadCore E-Series processor and VX11PH media system processor
- Rich I/O features, including COM, Digital I/O, USB 2.0, and USB 3.0 ports
- Optional 3G and Wi-Fi modules
- VIA MagicView® content management software available

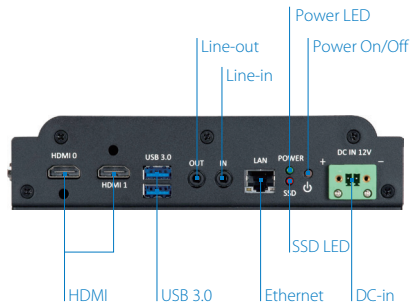


Specifications

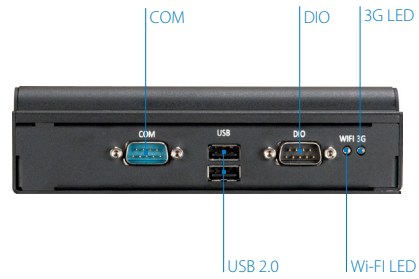
Model Name	ARTiGO A1300
Processor	1.0GHz VIA QuadCore E-Series
Chipset	VIA VX11PH Media System Processor
BIOS	AMI Aptio UEFI BIOS, 32Mbit Flash memory
System Memory	1 DDR3 1066/1333 SODIMM socket Up to 8GB memory size
Storage	Supports 1 2.5" SATA SSD/HDD 1 mSATA slot
Graphics	Integrated C-645/640 DX11 3D/2D graphics with MPEG-2, WMV9, VC-1 and H.264 video decoding acceleration
Audio	VIA VT2021 High Definition Audio Codec
Display I/O	2 HDMI ports supporting resolutions up to 1920 x 1080 pixels Dual independent HDMI displays at different resolutions, pixel depths, and refresh rates
USB	2 USB 3.0 ports and 2 USB 2.0 ports
LAN	Realtek RTL8111G Gigabit Ethernet controller Supports Wake-On-LAN and Boot from LAN (PXE)
COM	Fintek F71869
Expansion I/O	1 miniPCIe slot (PCIe + USB 2.0) 1 SIM card slot
Front Panel I/O	2 HDMI ports 2 USB 3.0 ports 1 Gigabit Ethernet port 2 Audio jacks: Line-in and Line-out 1 Power on/off button 1 Red LED for SSD activity 1 Green LED for power status 1 2-pole Phoenix DC jack
Left Panel I/O	2 USB 2.0 ports 1 COM port for RS-232/422/485 (powered by selectable 5V/12V) 1 DIO port for 8-bit GPIO 1 Blue LED for 3G 1 Blue LED for USB Wi-Fi
Rear Panel I/O	2 Antenna holes for 3G/Wi-Fi
Power Supply	12V DC-in (typical: 28W)
Operating System	Windows 8/7, WES 7, Linux
VIA Smart ETK	BIOS flash tool, Hardware monitor, Watchdog timer, GPIO
Operating Temperature	0°C ~ 45°C (SSD & mSATA) 0°C ~ 40°C (HDD)
Operating Humidity	0% ~ 90% (non-condensing)
Storage Temperature	-10°C ~ 60°C
Vibration Loading During Operation	With 2.5" SSD IEC 60068-2-64 (5Grms, random, 5 ~ 500Hz, 1hr/axis)



Front Panel External I/O



Left Panel External I/O



Specifications

Model Name	ARTiGO A1300
Shock During Operation	With 2.5" SSD IEC 60068-2-27 (50G, half sine, 11 ms duration)
Mechanical Construction	Fanless Aluminum alloy
Mounting	VESA mount
Dimensions	185mm(W) x 44.4mm(H) x 162mm(D) (7.28" x 1.75" x 6.38")
Weight	2.0kg (4.4lbs) (without HDD)
Compliance	CE, FCC

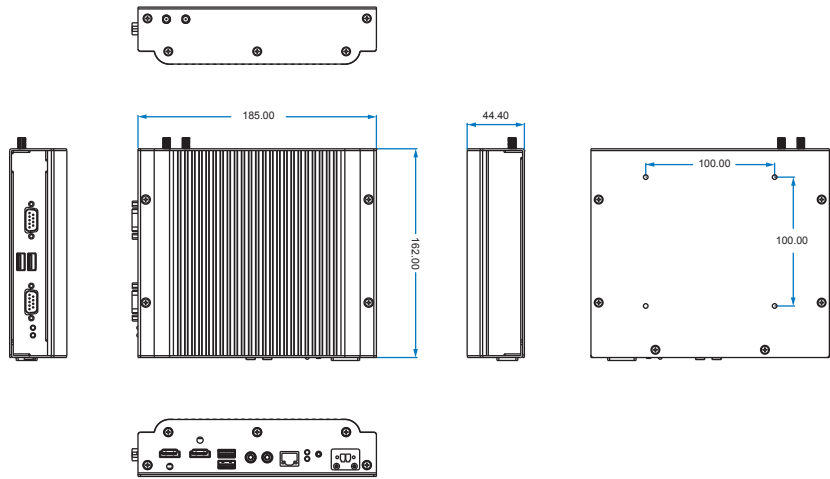
Ordering Information

Part Number	CPU Frequency	Description
ATG-A1300-1Q10A2	VIA QuadCore E-Series @ 1.0GHz	Fanless embedded system with 1.0GHz VIA QuadCore E-Series CPU, 2 HDMI, 2 USB 3.0, 2 USB 2.0, COM, DIO, Gigabit Ethernet, miniPCIe slot, SATA SSD bay, mSATA, SIM card slot, 12V DC-in, US power cord
ATG-A1300-2Q10A2	VIA QuadCore E-Series @ 1.0GHz	Fanless embedded system with 1.0GHz VIA QuadCore E-Series CPU, 2 HDMI, 2 USB 3.0, 2 USB 2.0, COM, DIO, Gigabit Ethernet, miniPCIe slot, SATA SSD bay, mSATA, SIM card slot, 12V DC-in, EU power cord

Optional Accessories

Wireless Accessories	
Part Number	Description
00GO27100BU2B0D0	VNT9271 IEEE 802.11 b/g/n USB Wi-Fi dongle
EMIO-1533-00A2	VNT9271 IEEE 802.11b/g/n USB Wi-Fi module with assembly kit and antenna
EMIO-5531-00A1	VAB-820-W IEEE 802.11b/g/n USB Wi-Fi & Bluetooth module with assembly kit and antenna
EMIO-2531-00A1	VAB-820-W-M IEEE 802.11 b/g/n miniPCIe Wi-Fi & Bluetooth module with assembly kit and antenna
EMIO-2550-01A1	3.75G HSPA/UMTS mobile broadband full size miniPCIe module with assembly kit and antenna

Dimensions



Unit: mm

Packing List

Items

- ARTiGO A1300 system
- AC-to-DC power adapter
- Power cord
- HDMI strap holder
- SATA power cable
- Screw pack for mounting
- Screw pack for HDD
- Screw pack for miniPCle card