

Mobile360 Solutions

VIA Mobile360 D700

Dual 1080p drive recorder platform with CAN bus and 4G connectivity

Features

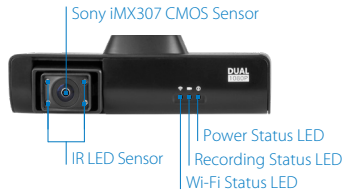
- Dual 1080p front dash and interior cameras
- 4G, Wi-Fi and GPS wireless connectivity
- Removable SD Card storage up to 200GB
- Drive Recorder SDK for cloud integration
- Android Smartphone Reference App



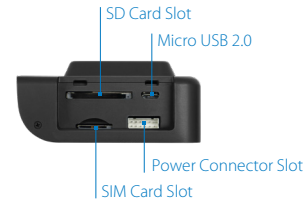
Specifications

Model Name	Mobile360 D700
Processor	ARM Cortex-A53 Dual Core SoC
System Memory	512MB DDR3L DRAM
Storage	128MB SPI Flash Memory 1 SD Card slot
Video	H.264 1080p@50 FPS capture H.264 encode and decode
Wireless Connectivity	Quectel EC25 4G LTE module with antenna AMPAK NV255 Wi-Fi 802.11b/g/n/ac Ublox M8030-KT GPS receiver
Camera	Sony iMX307 CMOS Sensor: 1080p, supports HDR 2 1920x1080p @ 50fps Adjust max angle: left=10°, right =10°, up=5°, down=57°
Sensors	4 IR LED controlled by Light sensor 3-Axis G-sensor
I/O	1 SD Card slot (200GB max) 1 SIM Card slot 1 Micro USB 2.0 port 6 GPIO (5GPI, 1 GPO) 1 CAN bus port 1 ACC On/Off 1 Buzzer 1 Mic
Power Supply	8~36V DC-in
Software	SDK for Microsoft Azure, AWS, and VIA E-Track cloud integration Android smartphone reference app
Cloud Certification	Microsoft IoT Plug and Play Certified AWS Device Qualification Program
Operating System	Linux Kernel 4.1.0
Operating Temperature	-10°~70°C
Mechanical Construction	ABS/PC chassis housing
Dimensions	135mm(W) x 39.5mm(H) x 91.43mm(D) (5.32" x 1.56" x 3.60")
Weight	0.27kg (0.60lbs)

Interior Camera



Side Panel I/O



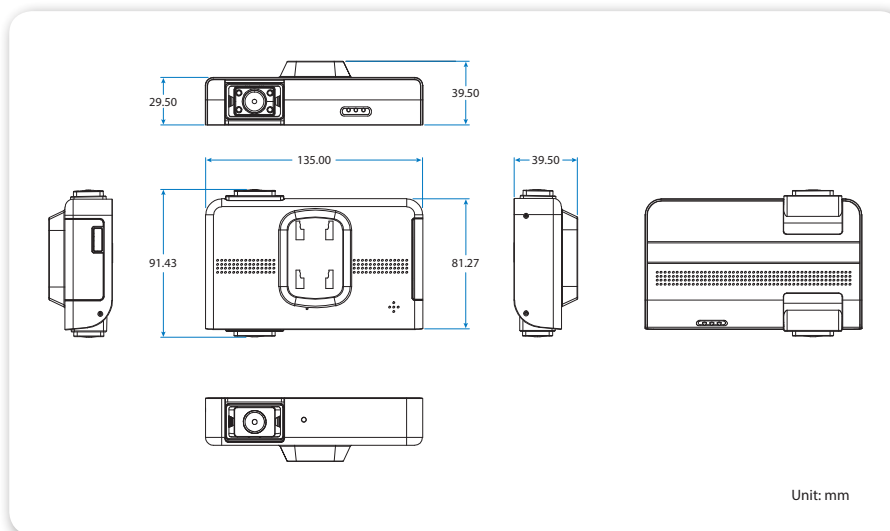
Exterior Camera



Ordering Information

Part Number	SoC Frequency	Description
00MB-D700-1D08A0	Novatek NT96685T Cortex-A53 Dual Core SoC @ 800MHz	Dual camera drive recorder with 800MHz Novatek Cortex-A53 Dual Core SoC, 512MB DDR3 LDRAM, 128MB SPI Flash Memory, Dual 1080p cameras, 4 IR LED light sensors, 1 Micro USB 2.0 port, CAN bus, 6 GPIO, Mic, 4G, Wi-Fi, GPS, SIM card slot, SD card slot, 8~36V DC-in with ACC On/Off
00MB-D700-2D08A0 (For US region only)	Novatek NT96685T Cortex-A53 Dual Core SoC @ 800MHz	Dual camera drive recorder with 800MHz Novatek Cortex-A53 Dual Core SoC, 512MB DDR3 LDRAM, 128MB SPI Flash Memory, Dual 1080p cameras, 4 IR LED light sensors, 1 Micro USB 2.0 port, CAN bus, 6 GPIO, Mic, 4G, Wi-Fi, GPS, SIM card slot, SD card slot, 8~36V DC-in with ACC On/Off

Dimensions



Packing List

Items
Mobile360 D700 system
Power On/Off, 8~36V DC-in Jack, CAN bus & GPIO Connector cable
12V/5A Car plug power adaptor
Mounting Bracket
32GB SD Card