

## All-in One Digital Signage Kits

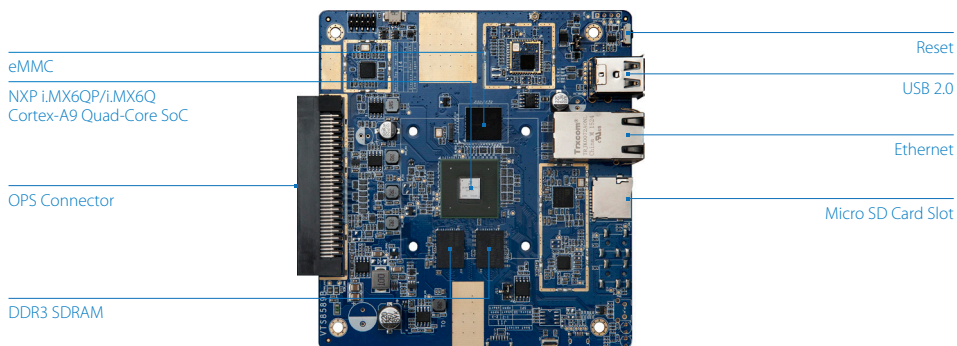
### VIA VTS-8589

Low power quad-core digital signage starter kit for OPS (Open Pluggable Specification) systems

### Features

- 1.0GHz NXP i.MX 6QuadPlus or i.MX 6Quad Cortex-A9 quad-core SoC
- OPS compliant
- HTML 5 support
- Onboard Wi-Fi support
- Flawless HD video performance up to 1080p

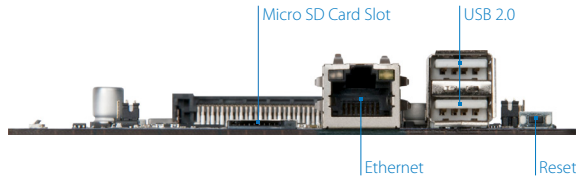
### Board Placement



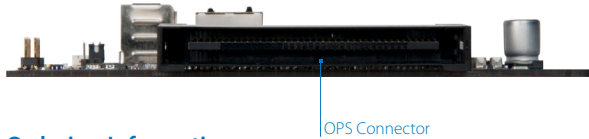
### Specifications

Model Name	VTS-8589-QP	VTS-8589
<b>Processor</b>	1.0GHz NXP i.MX 6QuadPlus Cortex-A9 quad-core SoC	1.0GHz NXP i.MX 6Quad Cortex-A9 quad-core SoC
<b>System Memory</b>	2GB DDR3 SDRAM	
<b>Storage</b>	8GB eMMC Flash memory	
<b>Boot Loader</b>	4MB SPI Flash ROM	
<b>Graphics</b>	Vivante GC2000+ GPU	Vivante GC2000 GPU
	3 integrated, independent 3D/2D and video graphics processing units Supports OpenGL® ES 3.0, OpenCL and OpenVG™ 1.1 hardware acceleration Supports VC1 and H.264 video decoding up to 1080p	
<b>LAN</b>	Micrel KSZ9031RNX Gigabit Ethernet transceiver with RGMII support	
<b>Audio</b>	NXP SGT5000 low power stereo codec	
<b>HDMI</b>	Integrated HDMI 1.4 Transmitter	
<b>USB</b>	SMSC USB2514 USB 2.0 high speed 4-port hub controller	
<b>Wi-Fi</b>	Realtek RTL 8189ETV SDIO onboard Wi-Fi module	
<b>Onboard I/O</b>	1 Boot Flash select pin header 1 JTAG pin header (for debugging) 1 RTC battery connector	
<b>Front Panel I/O</b>	2 USB 2.0 ports 1 Gigabit Ethernet port 1 Micro SD Card slot 1 Reset button	
<b>Back Panel I/O</b>	1 OPS Connector - includes signals for: 1 HDMI 2 USB 2.0 ports 1 UART (TTL 3V3) GPIO Audio Power (12~19V)	
<b>Power Supply</b>	12~19V DC-in (included in OPS Connector)	
<b>Operating System</b>	Linux Kernel 4.1.15	Linux Kernel 3.10.53
<b>Operating Temperature</b>	0°C ~ 45°C	
<b>Operating Humidity</b>	0% ~ 90% (relative humidity; non-condensing)	
<b>Form Factor</b>	12.1cm x 11.4cm (4.76" x 4.49")	

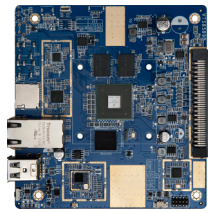
## Front Panel I/O



## Back Panel I/O



## Accessories



### VTS-8592

OPS I/O card for 2 USB 2.0, HDMI, Audio, Reset, Power button, 12~19V DC-in



## Ordering Information

Part Number	CPU Frequency	Description
00GFK10H10020	NXP i.MX 6QuadPlus Cortex-A9 quad-core SoC @ 1.0GHz	VTS-8589 board with 1.0GHz i.MX 6QuadPlus Cortex-A9 SoC, 8GB eMMC, 4MB SPI Flash ROM, 2GB DDR3 SDRAM, 2 USB 2.0, Gigabit Ethernet, onboard Wi-Fi, Micro SD card slot, OPS Connector
00GFK10500020	NXP i.MX 6Quad Cortex-A9 quad-core SoC @ 1.0GHz	VTS-8589 board with 1.0GHz i.MX 6Quad Cortex-A9 SoC, 8GB eMMC, 4MB SPI Flash ROM, 2GB DDR3 SDRAM, 2 USB 2.0, Gigabit Ethernet, onboard Wi-Fi, Micro SD card slot, OPS Connector

## Optional Accessories

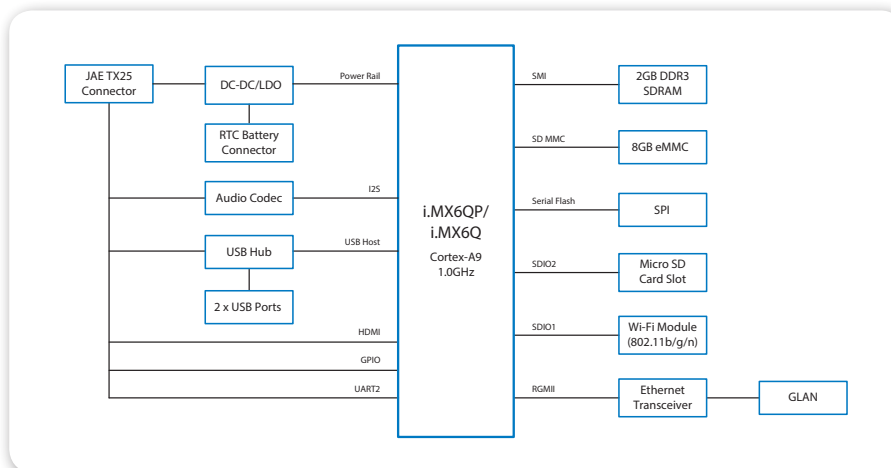
### AC-to-DC Adapter and Power Cord

Part Number	Description
99G63-020306	AC-to-DC adapter, DC 12V/5A, 60W
99G33-02032C	Power cord, 180cm, USA type

### Expansion Boards

Part Number	Description
00GJE00000020	VTS-8592 OPS I/O card with 2 USB 2.0 ports, HDMI port, audio jack, reset, power button, 12~19V DC-in

## Block Diagram



## Packing List

### Items

- VTS-8589 board
- Wi-Fi antenna
- Wi-Fi antenna cable