

## Mobile360 Solutions

### VIA Mobile360 D700

Powerful and feature-rich AI dash cam for commercial-grade fleet management applications

#### Features

- 1080p front dash and interior cameras
- 4G, Wi-Fi, Bluetooth and GPS wireless connectivity
- Configurable LDW, FCW, and DMS safety features
- SDK with AWS IoT Core and Amazon KVS live video streaming development support
- VIA Fleet Cloud Management Portal (30-day free demo)

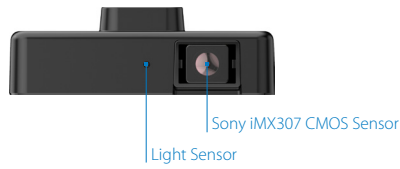


#### Specifications

<b>Model Name</b>	<b>Mobile360 D700</b>
<b>Processor</b>	800MHz ARM Cortex-A53 dual-core SoC
<b>System Memory</b>	512MB DDR3L DRAM
<b>Storage</b>	256MB SPI Flash Memory 1 Micro SD Card slot
<b>Wireless Connectivity</b>	4G LTE module with antenna Wi-Fi 802.11b/g/n/ac + BT 4.2 GPS receiver
<b>Camera &amp; Video</b>	Sony iMX307 CMOS Sensor: 1080p 2 1920x1080p @ 29fps FOV: D=116°, H=100°, V=56° Adjust max angle: horizontal left=10°, right=10°, vertical down=30° H.264 encode and decode
<b>Sensors</b>	4 IR LEDs controlled by Light sensor 3-Axis sensor
<b>Front Panel I/O</b>	1 Front camera 1 Light sensor
<b>Rear Panel I/O</b>	1 Rear camera 4 IR LED lights 3 LEDs for power, Wi-Fi and recording status 1 Short record/Two-way call button
<b>Left Panel I/O</b>	1 Speaker
<b>Right Panel I/O</b>	1 Micro USB 2.0 port (for debugging) 1 Micro SD Card slot (512GB max) 1 Micro SIM Card slot 1 12-pin power connector for 6 GPIO (5 GPI, 1 GPO), CAN bus, ACC, power
<b>Bottom Panel I/O</b>	1 Mic
<b>Power Supply</b>	9~36V DC-in
<b>Software</b>	Device SDK including Android / iOS smartphone reference apps
<b>Cloud Certification</b>	AWS IoT Core Qualified and Kinesis Video Streams Qualified Microsoft IoT Plug and Play Certified
<b>Operating System</b>	Linux Kernel 4.1.0
<b>Operating Temperature</b>	-20°C~70°C
<b>Mechanical Construction</b>	PC chassis housing
<b>Dimensions</b>	124.52mm(W) x 41.25mm(H) x 95.60mm(D) (4.90" x 1.62" x 3.76")
<b>Weight</b>	0.322kg (0.71lbs)
<b>Compliance</b>	CE, FCC, BSMI, TELEC, NCC, CTA
<b>Telco Certification</b>	AT&T, Verizon



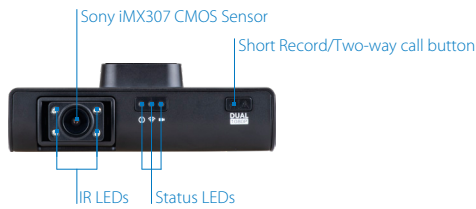
### Front Panel I/O



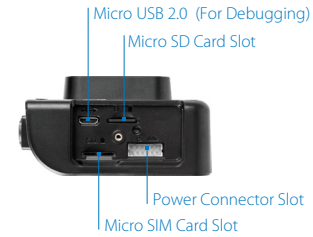
### Left Panel I/O



### Rear Panel I/O



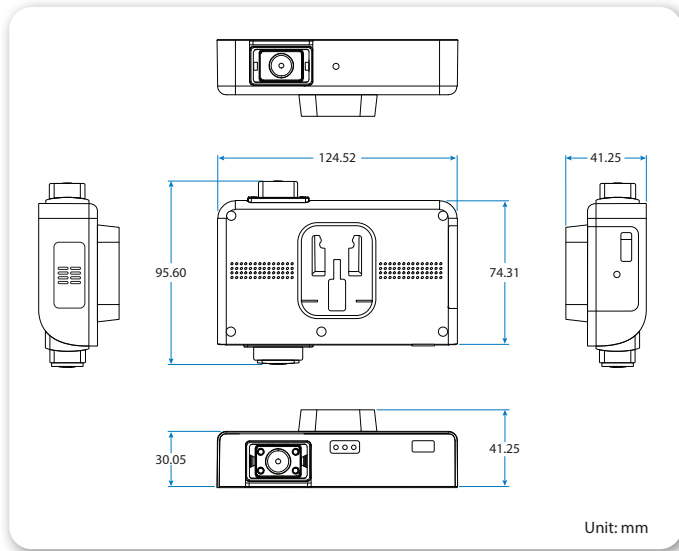
### Right Panel I/O



## Ordering Information

Part Number	SoC Frequency	Description
M360-D700-4D08B0 (For US region only - AT&T, Verizon support)	ARM Cortex-A53 dual-core SoC @ 800MHz	Dual 1080p AI dash cam with 800MHz ARM Cortex-A53 dual-core SoC, 512MB DDR3L DRAM, 256MB SPI Flash Memory, Dual 1080p cameras, 4 IR LED lights, Micro USB 2.0 port, Mic, speaker, 4G, Wi-Fi, BT 4.2, GPS, Micro SIM card slot, Micro SD card slot, 12-pin power connector for 6 GPIO, CAN bus & power
M360-D700-DD08A0 (For US region only - T-Mobile support)	ARM Cortex-A53 dual-core SoC @ 800MHz	Dual 1080p AI dash cam with 800MHz ARM Cortex-A53 dual-core SoC, 512MB DDR3L DRAM, 256MB SPI Flash Memory, Dual 1080p cameras, 4 IR LED lights, Micro USB 2.0 port, Mic, speaker, 4G, Wi-Fi, BT 4.2, GPS, Micro SIM card slot, Micro SD card slot, 12-pin power connector for 6 GPIO, CAN bus & power
M360-D700-3D08A0 (For JP region only)	ARM Cortex-A53 dual-core SoC @ 800MHz	Dual 1080p AI dash cam with 800MHz ARM Cortex-A53 dual-core SoC, 512MB DDR3L DRAM, 256MB SPI Flash Memory, Dual 1080p cameras, 4 IR LED lights, Micro USB 2.0 port, Mic, speaker, 4G, Wi-Fi, BT 4.2, GPS, Micro SIM card slot, Micro SD card slot, 12-pin power connector for 6 GPIO, CAN bus & power
M360-D700-5D08A0 (For APAC region only)	ARM Cortex-A53 dual-core SoC @ 800MHz	Dual 1080p AI dash cam with 800MHz ARM Cortex-A53 dual-core SoC, 512MB DDR3L DRAM, 256MB SPI Flash Memory, Dual 1080p cameras, 4 IR LED lights, Micro USB 2.0 port, Mic, speaker, 4G, Wi-Fi, BT 4.2, GPS, Micro SIM card slot, Micro SD card slot, 12-pin power connector for 6 GPIO, CAN bus & power
M360-D700-6D08A0 (For EU region only)	ARM Cortex-A53 dual-core SoC @ 800MHz	Dual 1080p AI dash cam with 800MHz ARM Cortex-A53 dual-core SoC, 512MB DDR3L DRAM, 256MB SPI Flash Memory, Dual 1080p cameras, 4 IR LED lights, Micro USB 2.0 port, Mic, speaker, 4G, Wi-Fi, BT 4.2, GPS, Micro SIM card slot, Micro SD card slot, 12-pin power connector for 6 GPIO, CAN bus & power
M360-D700-7D08A0 (For CN region only)	ARM Cortex-A53 dual-core SoC @ 800MHz	Dual 1080p AI dash cam with 800MHz ARM Cortex-A53 dual-core SoC, 512MB DDR3L DRAM, 256MB SPI Flash Memory, Dual 1080p cameras, 4 IR LED lights, Micro USB 2.0 port, Mic, speaker, 4G, Wi-Fi, BT 4.2, GPS, Micro SIM card slot, Micro SD card slot, 12-pin power connector for 6 GPIO, CAN bus & power

## Dimensions



## Packing List

### Items

Mobile360 D700 system
32GB Micro SD card
12V/3A DC power adaptor
12-pin power connector to power On/Off switch, 9~36V DC-in Jack, 12-pin CAN bus & GPIO connector
12-pin power connector to OBD II Connector and ACC to bullet plug cable
ACC bullet plug to Standard, Micro, Low-Profile and Mini blade fuse holder cable and fuses
Suction cup and adhesive tape mounting bracket options
Allen wrench