

VIA
Mobile360 D700

Powerful and feature-rich AI dash cam for commercial-grade fleet management applications



Features

- 1080p front dash and interior cameras
- 4G, Wi-Fi, Bluetooth and GPS wireless connectivity
- Configurable LDW, FCW, and DMS safety features
- SDK with AWS IoT Core and Amazon KVS live video streaming development support
- VIA Fleet Cloud Management Portal (30-day free trial)

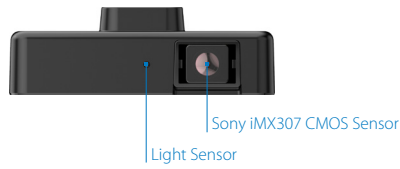


Specifications

Model Name	Mobile360 D700
Processor	800MHz ARM Cortex-A53 dual-core SoC
System Memory	512MB DDR3L DRAM
Storage	256MB SPI Flash Memory 1 Micro SD Card slot
Wireless Connectivity	4G LTE module with antenna Wi-Fi 802.11b/g/n/ac + BT 4.2 GPS receiver
Camera & Video	Sony iMX307 CMOS Sensor: 1080p 2 1920x1080p @ 29fps FOV: D=116°, H=100°, V=56° Adjust max angle: horizontal left=10°, right=10°, vertical down=30° H.264 encode and decode
Sensors	4 IR LEDs controlled by Light sensor 3-Axis sensor
Front Panel I/O	1 Front camera 1 Light sensor
Rear Panel I/O	1 Rear camera 4 IR LED lights 3 LEDs for power, Wi-Fi and recording status 1 Short record/Two-way call button
Left Panel I/O	1 Speaker
Right Panel I/O	1 Micro USB 2.0 port (for debugging) 1 Micro SD Card slot (512GB max) 1 Micro SIM Card slot 1 12-pin power connector for 6 GPIO (5 GPI, 1 GPO), CAN bus, ACC, power
Bottom Panel I/O	1 Mic
Power Supply	9~36V DC-in
Software	Device SDK including Android / iOS smartphone reference apps
Cloud Certification	AWS IoT Core Qualified and Kinesis Video Streams Qualified Microsoft IoT Plug and Play Certified
Operating System	Linux Kernel 4.1.0
Operating Temperature	-20°C~70°C
Mechanical Construction	PC chassis housing
Dimensions	124.52mm(W) x 41.25mm(H) x 95.60mm(D) (4.90" x 1.62" x 3.76")
Weight	0.322kg (0.71lbs)
Compliance	CE, FCC, BSMI, TELEC, NCC, CTA, UKCA
Telco Certification	AT&T, T-Mobile, Verizon



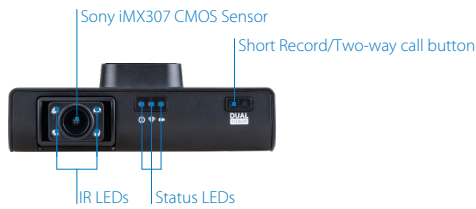
Front Panel I/O



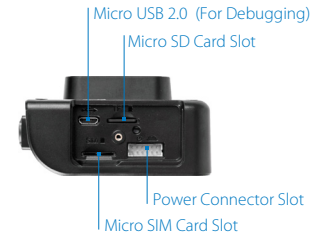
Left Panel I/O



Rear Panel I/O



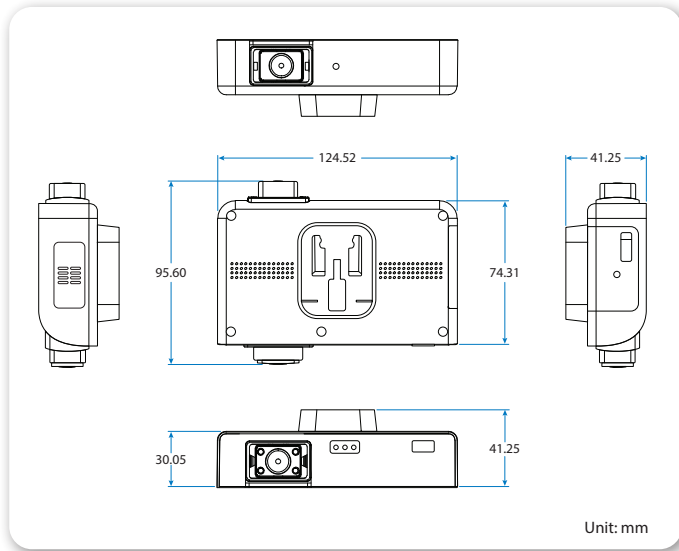
Right Panel I/O



Ordering Information

Part Number	SoC Frequency	Description
00MB-D700-3D0810 (For JP region only)	ARM Cortex-A53 dual-core SoC @ 800MHz	Dual 1080p AI dash cam with 800MHz ARM Cortex-A53 dual-core SoC, 512MB DDR3L DRAM, 128MB SPI Flash Memory, Dual 1080p cameras, 4 IR LED lights, Micro USB 2.0 port, Mic, speaker, 4G, Wi-Fi, BT 4.2, GPS, Micro SIM card slot, Micro SD card slot, 12-pin power connector for 6 GPIO, CAN bus & power
00MB-D700-4D0810 (For US region only)	ARM Cortex-A53 dual-core SoC @ 800MHz	Dual 1080p AI dash cam with 800MHz ARM Cortex-A53 dual-core SoC, 512MB DDR3L DRAM, 128MB SPI Flash Memory, Dual 1080p cameras, 4 IR LED lights, Micro USB 2.0 port, Mic, speaker, 4G, Wi-Fi, BT 4.2, GPS, Micro SIM card slot, Micro SD card slot, 12-pin power connector for 6 GPIO, CAN bus & power
00MB-D700-5D0810 (For APAC region only)	ARM Cortex-A53 dual-core SoC @ 800MHz	Dual 1080p AI dash cam with 800MHz ARM Cortex-A53 dual-core SoC, 512MB DDR3L DRAM, 128MB SPI Flash Memory, Dual 1080p cameras, 4 IR LED lights, Micro USB 2.0 port, Mic, speaker, 4G, Wi-Fi, BT 4.2, GPS, Micro SIM card slot, Micro SD card slot, 12-pin power connector for 6 GPIO, CAN bus & power
00MB-D700-6D0810 (For EU region only)	ARM Cortex-A53 dual-core SoC @ 800MHz	Dual 1080p AI dash cam with 800MHz ARM Cortex-A53 dual-core SoC, 512MB DDR3L DRAM, 128MB SPI Flash Memory, Dual 1080p cameras, 4 IR LED lights, Micro USB 2.0 port, Mic, speaker, 4G, Wi-Fi, BT 4.2, GPS, Micro SIM card slot, Micro SD card slot, 12-pin power connector for 6 GPIO, CAN bus & power
00MB-D700-7D0810 (For CN region only)	ARM Cortex-A53 dual-core SoC @ 800MHz	Dual 1080p AI dash cam with 800MHz ARM Cortex-A53 dual-core SoC, 512MB DDR3L DRAM, 128MB SPI Flash Memory, Dual 1080p cameras, 4 IR LED lights, Micro USB 2.0 port, Mic, speaker, 4G, Wi-Fi, BT 4.2, GPS, Micro SIM card slot, Micro SD card slot, 12-pin power connector for 6 GPIO, CAN bus & power

Dimensions



Packing List

Items

Mobile360 D700 system
32GB Micro SD card
12V/3A DC power adaptor
12-pin power connector to power On/Off switch, 9~36V DC-in Jack, 12-pin CAN bus & GPIO connector
12-pin power connector to 12V/3A cigarette lighter power cable
12-pin power connector to OBD II Connector and ACC to bullet plug cable
ACC bullet plug to Standard, Micro, Low-Profile and Mini blade fuse holder cable and fuses
Suction cup and adhesive tape mounting bracket options
Allen wrench